

ZK Boom Barrier is a product which ZKTeco owns the independent intellectual property rights. Its boom prevents entry of unauthorized vehicles to restricted area, and is raised by the linkage between the gate and the remote control, access control system, long-distance reader and number plate recognition system. If a floor sensor is installed, strike can be avoided, and the boom will be automatically lowered after the vehicle passes through the gate; otherwise, the boom can be lowered manually by using a remote controller or press button.

The boom can be equipped with pressure wave. When there is any hindrance during the boom lowering, the boom will be automatically raised to prevent it from striking vehicles or people. LED light tape is also optional for changing color in boom raising or lowering, helping driver avoid hitting the boom.

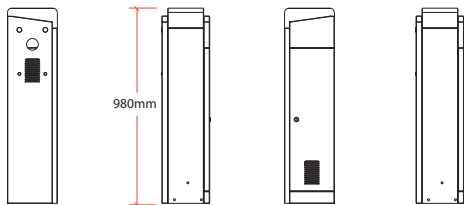
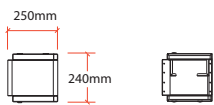
Features

- Compact design, convenient for packing and lowering delivery cost;
- ZK designed rolling pressure spring technology, extending product life;
- Boom can be raised and lowered smoothly and steadily;
- Outer case and interior can be flexibly separated, convenient for maintenance and customization;
- Simple installation – just fix the barrier gate on floor and connect it to electricity.

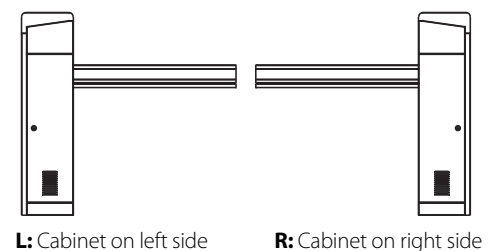
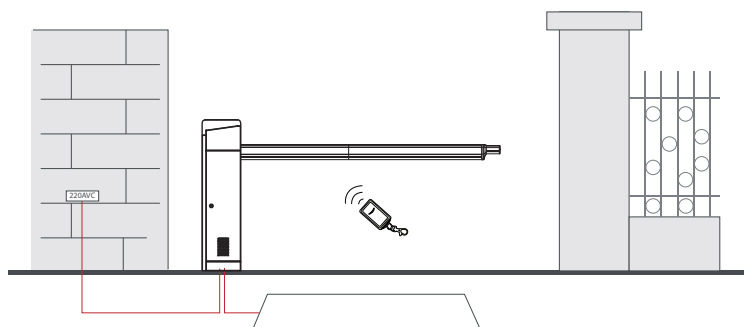
Specifications

Model No.	PB1010L/R	PB1030L/R	PB1060L/R
Lane Width	3M, up to 3.8M with telescopic boom	4M, up to 4.8M with telescopic boom	5M, up to 5.8M with telescopic boom
Opening / Closing Time	1S	3S	6S
Supply Voltage	110V AC or 220V AC	110V AC or 220V AC	110V AC or 220V AC
Power Consumption Max.	200W	200W	200W
Frequency	50-60Hz	50-60Hz	50-60Hz
Cabinet Material	Powder Coated Steel	Powder Coated Steel	Powder Coated Steel
Boom Material	Aluminum Alloy	Aluminum Alloy	Aluminum Alloy
Base Frame	Cast Iron	Cast Iron	Cast Iron
Temperature Range	-20°C~+60°C	-20°C~+60°C	-20°C~+60°C
Humidity Range	≤90%	≤90%	≤90%
Ingress Protection	IP54	IP54	IP54
Housing Dimensions (W x D x H)	240 x 250 x 980mm	240 x 250 x 980mm	240 x 250 x 980mm
Packing Dimensions (W x D x H)	410 x 390 x 1170mm	410 x 390 x 1170mm	410 x 390 x 1250mm
Net Weight (Without Boom)	49KG	50KG	51KG
Gross Weight (Without Boom)	54KG	55KG	56KG

Dimension



Typical Installation



Accessories

Loop detector Photo Cell Siren
Remote Transmitter Loop

Optional Functions

Heater system Cooling system
Boom illuminator system
Bumping bounce back system Wooden Package
Controller(C3-100 or inBIO160)



ZKTeco Inc.
www.zkteco.com
E-mail: sales@zkteco.com

© Copyright 2016, ZKTeco Inc. ZKTeco Logo is a registered trademark of ZKTeco or a related company. All other product and company names mentioned are used for identification purposes only and may be the trademarks of their respective owners. All specifications are subject to change without notice. All rights reserved.

